

Dual Color DMX512 Controller

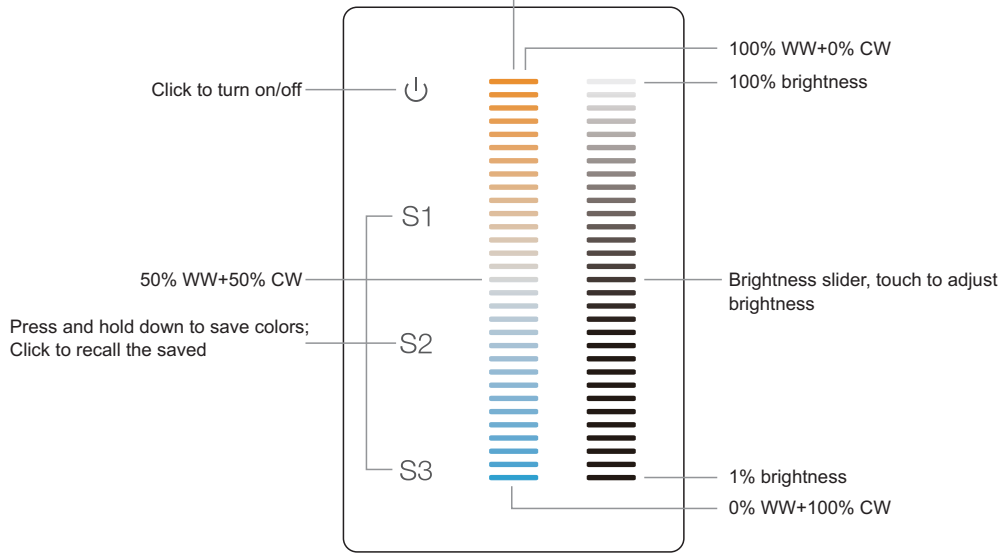
09.34BDU.04712



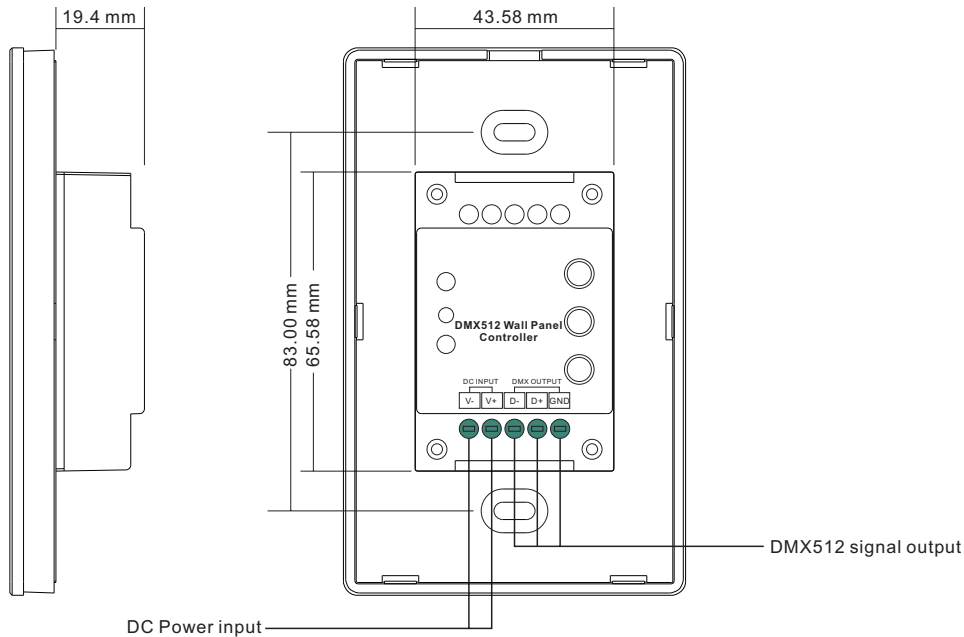
Important: Read All Instructions Prior to Installation

Function introduction

Dual color slider, touch to adjust color temperature between Warm White and Cool White



Front side



Back side

Product Data

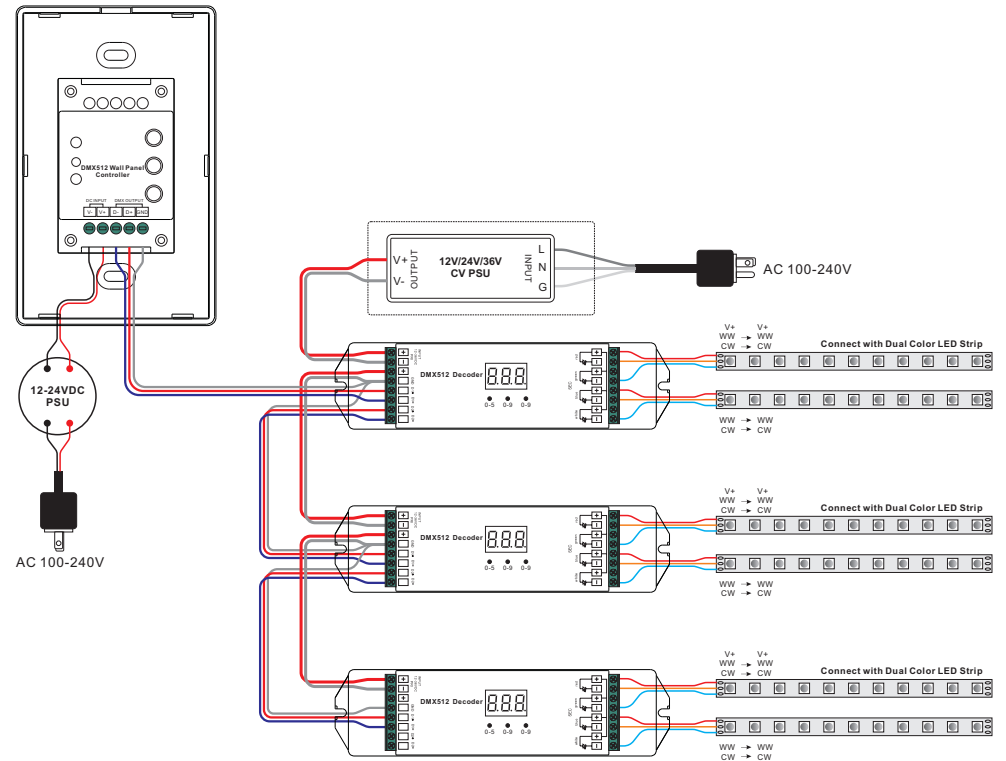
Output Signal	DMX512 signal
Power Supply	12-24VDC
Power consumption	200 mA
Operating temperature	0-40°C
Relative humidity	8% to 80%
Dimensions	75x120x29.1mm

- Touch sensitive
- Glass interface(white & black)
- Standard DMX512 Signal output
- Control CCT color
- Control 1 zone
- Waterproof grade: IP20

Safety & Warnings

- DO NOT install with power applied to device.
- DO NOT expose the device to moisture.

Wiring diagram



Set DMX Address

This DMX master controller can control many DMX decoders, please set all decoders' address as 001.

Installation

